

# SHARPSINKS

A DIVISION OF ESI

DURABLE 18 GA. STAINLESS STEEL  
UNBEATABLE VALUE  
UNDERMOUNT & DROP-IN OPTIONS  
SLEEK MODERN DESIGN  
ADA COMPLIANT 18/22 GA. OPTIONS

## BUILD SHARP

## S375-18

Top Mount

18 Gauge Construction

304 Series Stainless Steel

18/8 Chrome-Nickel Content

Fully Insulated Spray Coating

Sound Dampening Pads

Satin Finish

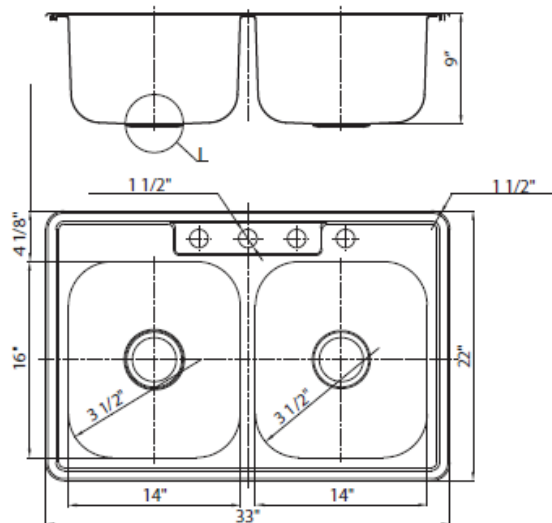
ASME 112.19.3-00

IAPMO/UPC Compliant

Includes

Mounting Clips

Paper Template



a J.R. Sharp Company

## SHARPSINKS

A DIVISION OF ESI

800-470-5831

[www.esi4service.com](http://www.esi4service.com)

DALLAS, TX  
DENVER, CO  
LOS ANGELES, CA  
PHOENIX, AZ

SALT LAKE CITY, UT  
SAN FRANCISCO, CA  
SEATTLE, WA  
ST. LOUIS, MO