

# SHARPSINKS

A DIVISION OF ESI

VOLUME 18  
CATALOG

STAINLESS

CERAMIC

FIRECLAY

QUARTZ COMPOSITE

SOLID SURFACE



a J.R. Sharp Company



a J.R. Sharp Company



ESI Corporate Office  
San Dimas, CA

## COMMITMENT TO EXCELLENCE

ESI is the exclusive source for the **SHARPSINKS** line of high quality sink products. We have styles that enhance the latest trends and quality that is designed to last a lifetime. We hold fast to the foundations of **form + function**, the complementary balance that will make your kitchen and bath designs the best they can be.

### ARIZONA

**ESI - Arizona Branch**  
150 S. Kyrene Rd #9  
Chandler, AZ 85226

800.470.5831 **TOLL FREE**  
480.829.8900 **OFFICE**  
480.829.8903 **FAX**

### COLORADO

**ESI - Colorado Branch**  
5977 N. Broadway  
Denver, CO 80216

800.470.5831 **TOLL FREE**  
303.295.1546 **OFFICE**  
303.296.0307 **FAX**

### UTAH

**ESI - Utah Branch**  
2251 S. 3270 W.  
West Valley City, UT 84119

800.470.5831 **TOLL FREE**  
801.485.7249 **OFFICE**  
801.485.6131 **FAX**

### CALIFORNIA

**ESI - Southern California Branch**  
828 West Cienega Avenue  
San Dimas, CA 91773

800.470.5831 **TOLL FREE**  
909.599.2336 **OFFICE**  
909.394.9035 **FAX**

### MISSOURI

**ESI - Missouri Branch**  
566 Leffingwell Avenue  
Kirkwood, MO 63122

800.470.5831 **TOLL FREE**  
636.326.2565 **OFFICE**  
636.326.9369 **FAX**

### WASHINGTON

**ESI - Washington Branch**  
6876 South 220th Street  
Kent, WA 98032

800.470.5831 **TOLL FREE**  
866.395.7002 **OFFICE**  
866.395.6094 **FAX**

**ESI - Northern California Branch**  
2247 Commerce Place  
Hayward, CA 94545

800.470.5831 **TOLL FREE**  
510.785.0379 **OFFICE**  
510.785.2398 **FAX**

### TEXAS

**ESI - Texas Branch**  
11444 Reeder Rd #101  
Dallas, TX 75229

800.470.5831 **TOLL FREE**  
972.287.3992 **OFFICE**  
972.287.7339 **FAX**

#### NOTE:

All descriptions, images, references, features, content, specifications, and products in ESI's catalog are subject to change at any time without notice or obligation. Specifications drawings and dimensions are believed to be correct at publication but accuracy cannot be guaranteed. Please use provided templates or actual sinks as a guide before cutting. DXF files are available upon request.

# SHARPSINKS

A DIVISION OF ESI



## contents

<b>STAINLESS STEEL COLLECTION</b>	<b>2</b>
Ultra <b>SHARP</b>	2-4
Pro <b>SHARP</b>	5-8
Build <b>SHARP</b>	9-11
Build <b>SHARP</b> ADA	12
Build <b>SHARP</b> Handmade	13-15
Culinary Traditions	16-17
<b>SERENITY CERAMIC COLLECTION</b>	<b>18-19</b>
<b>CATALINA FIRECLAY COLLECTION</b>	<b>20-21</b>
<b>EARTHSTONE QUARTZ COMPOSITE COLLECTION</b>	<b>22-27</b>
<b>GEMSTONE SOLID SURFACE COLLECTION</b>	<b>28-31</b>
<b>TECHNICAL INFORMATION</b>	<b>32-39</b>
<b>CARE &amp; MAINTENANCE</b>	<b>40</b>

# STAINLESS STEEL COLLECTION

## SHARPSINKS

Better Materials. Better Sinks.

Our Stainless Steel sinks are manufactured according to the highest standards in the industry. We use premium culinary grade type 304 stainless steel to ensure a high luster and durable finish. Additionally, all of our sinks meet or exceed one or more of the regulatory certification marks for the USA, Canada and Europe.



WRAS  
Water Regulations Authority



## ULTRASHARP

SLEEK EUROPEAN BOWL DESIGN

STURDY 16-GAUGE CONSTRUCTION

PREMIUM SATIN PEARL FINISH BOWLS & BRUSHED DECK

TIGHTER RADIUS CORNERS MAXIMIZE USABLE SPACE

ULTRABARRIER SOUND INSULATION

LIMITED LIFETIME WARRANTY

ACCESSORY KIT INCLUDED WITH KITCHEN MODELS

## ESI- ULTRA-205

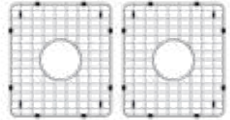




16 Gauge

Type 304SS



DIMENSIONS: | 32-3/8" x 18-1/8" O.D. x 10" | 10" D.

### INCLUDES:

- + CUSTOM FIT SINK GRIDS  

- + WALNUT CUTTING BOARD  

- + SILICONE DRYING MAT  

- + ROLL-UP UTILITY RACK  

- + DELUXE STRAINER BASKET  


## ESI- ULTRA-211R

40/60 STAINLESS  
STEEL UNDERMOUNT  
KITCHEN SINK

16 Gauge

Type 304SS



DIMENSIONS: | 31-3/4" x 20-5/8" O.D. x 8" | 10" D.

### INCLUDES:

- + CUSTOM FIT SINK GRIDS  

- + WALNUT CUTTING BOARD  

- + SILICONE DRYING MAT  

- + ROLL-UP UTILITY RACK  

- + DELUXE STRAINER BASKET  


## ESI- ULTRA-211L

60/40 STAINLESS  
STEEL UNDERMOUNT  
KITCHEN SINK

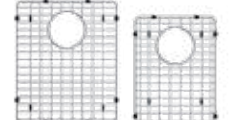



16 Gauge

Type 304SS



DIMENSIONS: | 31-3/4" x 20-5/8" O.D. x 10" | 8" D.

### INCLUDES:

- + CUSTOM FIT SINK GRIDS  

- + WALNUT CUTTING BOARD  

- + SILICONE DRYING MAT  

- + ROLL-UP UTILITY RACK  

- + DELUXE STRAINER BASKET  


**INCLUDES:**

- + CUSTOM FIT SINK GRID  

- + WALNUT CUTTING BOARD  

- + SILICONE DRYING MAT  

- + ROLL-UP UTILITY RACK  

- + DELUXE STRAINER BASKET  




**DIMENSIONS:** | 32-3/8" x 18-1/8" O.D. x 10" D.

**ESI-  
ULTRA-190**

LARGE SINGLE BOWL  
STAINLESS STEEL  
UNDERMOUNT  
KITCHEN SINK

16 Gauge

Type 304SS

**INCLUDES:**

- + CUSTOM FIT SINK GRID  

- + WALNUT CUTTING BOARD  

- + SILICONE DRYING MAT  

- + ROLL-UP UTILITY RACK  

- + DELUXE STRAINER BASKET  




**DIMENSIONS:** | 23-1/8" x 17-7/8" O.D. x 10" D.

**ESI-  
ULTRA-123**

MEDIUM SINGLE BOWL  
STAINLESS STEEL  
UNDERMOUNT  
KITCHEN SINK

16 Gauge

Type 304SS

- GREAT CHOICE FOR VANITIES  
OR WET BAR APPLICATIONS

**INCLUDES:**

- + TRADITIONAL POP-UP DRAIN WITH OVERFLOW  




**DIMENSIONS:** | 19-1/4" x 16-1/4" O.D. x 7" D.

**ESI-  
ULTRA-130DW**

OVAL STAINLESS  
STEEL DUAL MOUNT  
VANITY SINK WITH  
INTEGRAL OVERFLOW

20 Gauge

Type 304SS

# PROSHARP

DURABLE 16 & 18 GAUGE STAINLESS STEEL

COMMERCIAL QUALITY

304 STAINLESS STEEL

PERFECT COMBINATION OF STYLE AND VALUE

BRUSHED FINISH BOWLS AND DECK

LIMITED LIFETIME WARRANTY



## ESI-S227-16

50/50 STAINLESS  
STEEL UNDERMOUNT  
KITCHEN SINK

16 Gauge  
Type 304SS

**CUSTOM SINK GRID**  
ESI-S227-GRD

**CUTTING BOARD**  
ESI-DSCBOARD

**STRAINER**  
ESI-SSS-USB1-EXT

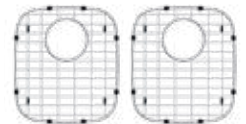
**DRAIN COVER**  
ESI-SSS-UDDC1



**DIMENSIONS:** | 32" x 17-3/4" O.D. x 9" | 9" D.

### OPTIONAL ACCESSORIES:

+ CUSTOM FIT SINK GRIDS



+ SILICONE CUTTING BOARD

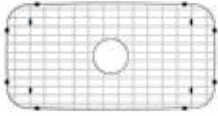


+ STRAINER DRAIN COVER



**OPTIONAL ACCESSORIES:**

+ CUSTOM FIT SINK GRID



+ SILICONE CUTTING BOARD



+ STRAINER DRAIN COVER



**DIMENSIONS:** | 31-1/2" x 18-1/4" O.D. x 9" D.

**ESI-S380-16**

LARGE SINGLE BOWL  
STAINLESS STEEL  
UNDERMOUNT  
KITCHEN SINK

16 Gauge  
Type 304SS

**CUSTOM SINK GRID**  
ESI-S380-GRD

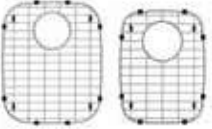
**CUTTING BOARD**  
ESI-DSCBOARD

**STRAINER**  
ESI-SSS-USB1-EXT

**DRAIN COVER**  
ESI-SSS-UDDC1

**OPTIONAL ACCESSORIES:**

+ CUSTOM FIT SINK GRIDS



+ SILICONE CUTTING BOARD



+ STRAINER DRAIN COVER



**DIMENSIONS:** | 31-3/4" x 20-5/8" O.D. x 9" | 7" D.

**ESI-S360-16**

60/40 STAINLESS  
STEEL UNDERMOUNT  
KITCHEN SINK

16 Gauge  
Type 304SS

**CUSTOM SINK GRID**  
ESI-S360-GRD

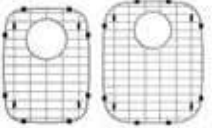
**CUTTING BOARD**  
ESI-DSCBOARD

**STRAINER**  
ESI-SSS-USB1-EXT

**DRAIN COVER**  
ESI-SSS-UDDC1

**OPTIONAL ACCESSORIES:**

+ CUSTOM FIT SINK GRIDS



+ SILICONE CUTTING BOARD



+ STRAINER DRAIN COVER



**DIMENSIONS:** | 31-3/4" x 20-5/8" O.D. x 7" | 9" D.

**ESI-S360R-16**

40/60 STAINLESS  
STEEL UNDERMOUNT  
KITCHEN SINK

16 Gauge  
Type 304SS

**CUSTOM SINK GRID**  
ESI-S360-GRD

**CUTTING BOARD**  
ESI-DSCBOARD

**STRAINER**  
ESI-SSS-USB1-EXT

**DRAIN COVER**  
ESI-SSS-UDDC1



## ESI-S227LD-16

50/50 LOW DIVIDE  
STAINLESS STEEL  
UNDERMOUNT  
KITCHEN SINK

16 Gauge  
Type 304SS

**CUSTOM SINK GRID**  
ESI-S227LD-GRD

**CUTTING BOARD**  
ESI-DSCBOARD

**STRAINER**  
ESI-SSS-USB1-EXT

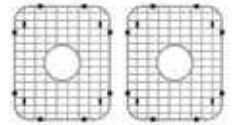
**DRAIN COVER**  
ESI-SSS-UDDC1



**DIMENSIONS:** | 32-1/4" x 18-7/8" O.D. x 9" | 9" D.

### OPTIONAL ACCESSORIES:

+ CUSTOM FIT SINK GRIDS



+ SILICONE CUTTING BOARD



+ STRAINER DRAIN COVER



## ESI-S272-16

70/30 STAINLESS  
STEEL UNDERMOUNT  
KITCHEN SINK

16 Gauge  
Type 304SS

**CUSTOM SINK GRID**  
ESI-S272-GRD

**CUTTING BOARD**  
ESI-DSCBOARD

**STRAINER**  
ESI-SSS-USB1-EXT

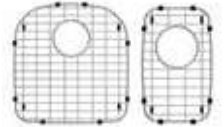
**DRAIN COVER**  
ESI-SSS-UDDC1



**DIMENSIONS:** | 31-1/8" x 20-1/8" O.D. x 9" | 6-3/4" D.

### OPTIONAL ACCESSORIES:

+ CUSTOM FIT SINK GRIDS



+ SILICONE CUTTING BOARD



+ STRAINER DRAIN COVER



## ESI-S214-16

MEDIUM SINGLE BOWL  
STAINLESS STEEL  
UNDERMOUNT  
KITCHEN SINK

16 Gauge  
Type 304SS

**CUSTOM SINK GRID**  
ESI-S214-GRD

**CUTTING BOARD**  
ESI-DSCBOARD

**STRAINER**  
ESI-SSS-USB1-EXT

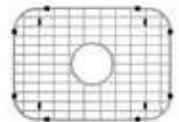
**DRAIN COVER**  
ESI-SSS-UDDC1



**DIMENSIONS:** | 23-1/8" x 17-7/8" O.D. x 9" D.

### OPTIONAL ACCESSORIES:

+ CUSTOM FIT SINK GRID



+ SILICONE CUTTING BOARD

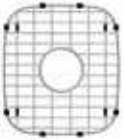


+ STRAINER DRAIN COVER



**OPTIONAL ACCESSORIES:**

+ CUSTOM FIT SINK GRID



+ SILICONE CUTTING BOARD



+ STRAINER DRAIN COVER



**DIMENSIONS:** | 16-1/2" x 18" O.D. x 9" D.

**ESI-S330-18**

SMALL SINGLE BOWL  
STAINLESS STEEL  
UNDERMOUNT  
KITCHEN SINK

18 Gauge  
Type 304SS

**CUSTOM SINK GRID**  
ESI-S330-GRD

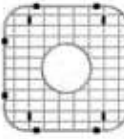
**CUTTING BOARD**  
ESI-DSCBOARD

**STRAINER**  
ESI-SSS-USB1-EXT

**DRAIN COVER**  
ESI-SSS-UDDC1

**OPTIONAL ACCESSORIES:**

+ CUSTOM FIT SINK GRID



+ SILICONE CUTTING BOARD



+ STRAINER DRAIN COVER



**DIMENSIONS:** | 16" x 16" O.D. x 8" D.

**ESI-S320-18**

SMALL SINGLE BOWL  
STAINLESS STEEL  
UNDERMOUNT  
KITCHEN SINK

18 Gauge  
Type 304SS

**CUSTOM SINK GRID**  
ESI-S320-GRD

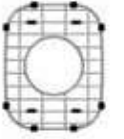
**CUTTING BOARD**  
ESI-DSCBOARD

**STRAINER**  
ESI-SSS-USB1-EXT

**DRAIN COVER**  
ESI-SSS-UDDC1

**OPTIONAL ACCESSORIES:**

+ CUSTOM FIT SINK GRID



+ SILICONE CUTTING BOARD



+ STRAINER DRAIN COVER



**DIMENSIONS:** | 12-5/8" x 15" O.D. x 7" D.

**ESI-S310-18**

SMALL SINGLE BOWL  
STAINLESS STEEL  
UNDERMOUNT  
KITCHEN SINK

18 Gauge  
Type 304SS

**CUSTOM SINK GRID**  
ESI-S310-GRD

**CUTTING BOARD**  
ESI-DSCBOARD

**STRAINER**  
ESI-SSS-USB1-EXT

**DRAIN COVER**  
ESI-SSS-UDDC1

DURABLE 18 GA. STAINLESS STEEL  
UNBEATABLE VALUE  
UNDERMOUNT & DROP-IN OPTIONS  
SLEEK MODERN DESIGN  
ADA COMPLIANT 18/22 GA. OPTIONS

# BUILD SHARP



## ESI-S227-18

18 Gauge

Type 304SS



50/50  
STAINLESS STEEL  
UNDERMOUNT  
KITCHEN SINK

**DIMENSIONS:**  
32" x 17-3/4" O.D. x 9" |  
9" D.

LARGE SINGLE BOWL  
STAINLESS STEEL  
UNDERMOUNT  
KITCHEN SINK

**DIMENSIONS:**

31-1/2" x 18-1/4" O.D. x 9" D.



**ESI-S380-18**

18 Gauge

Type 304SS

60/40 STAINLESS STEEL  
UNDERMOUNT  
KITCHEN SINK

**DIMENSIONS:**

31-3/4" x 20-5/8" O.D. x 9" |  
7" D.



**ESI-S360-18**

18 Gauge

Type 304SS

70/30 STAINLESS STEEL  
UNDERMOUNT  
KITCHEN SINK

**DIMENSIONS:**

31-1/8" x 20-1/8" O.D. x 9" |  
6-3/4" D.



**ESI-S272-18**

18 Gauge

Type 304SS

MEDIUM SINGLE BOWL  
(D-SHAPE)  
STAINLESS STEEL  
UNDERMOUNT  
KITCHEN/UTILITY SINK

**DIMENSIONS:**

23-5/8" x 21" O.D. x 9" D.



**ESI-S340-18**

18 Gauge

Type 304SS

## ESI-S214-18

18 Gauge

Type 304SS



MEDIUM SINGLE BOWL  
STAINLESS STEEL  
UNDERMOUNT  
KITCHEN SINK

**DIMENSIONS:**

23-1/8" x 17-7/8" O.D. x 9" D.

## ESI-S207-18

18 Gauge

Type 304SS



SMALL SINGLE BOWL  
STAINLESS STEEL  
UNDERMOUNT  
KITCHEN SINK

**DIMENSIONS:**

15" x 18-1/2" O.D. x 7" D.

## ESI-S375-18

18 Gauge

Type 304SS



50/50 DROP-IN  
STAINLESS STEEL  
UNDERMOUNT  
KITCHEN SINK

**DIMENSIONS:**

33" x 22" O.D. x 9" | 9" D.



50/50  
STAINLESS STEEL  
UNDERMOUNT  
KITCHEN SINK

**DIMENSIONS:**  
32" x 17-3/4" O.D. x  
5-1/2" | 5-1/2" D.

 **ADA COMPLIANT**



**ESI-S5050-  
18-ADA**

18 Gauge  
Type 304SS

50/50 DROP-IN  
STAINLESS STEEL  
KITCHEN SINK

**DIMENSIONS:**  
33" x 22" O.D. x 5-1/2" |  
5-1/2" D.

 **ADA COMPLIANT**



**ESI-S3322-  
22-ADA**

22 Gauge  
Type 304SS

LARGE SINGLE BOWL  
STAINLESS STEEL  
UNDERMOUNT  
KITCHEN SINK

**DIMENSIONS:**  
31-1/2" x 18-1/4" O.D. x  
5-1/2" D.

 **ADA COMPLIANT**



**ESI-S3118-  
18-ADA**

18 Gauge  
Type 304SS

SMALL SINGLE BOWL  
DROP-IN  
STAINLESS STEEL  
UNDERMOUNT  
KITCHEN SINK

**DIMENSIONS:**  
15" x 15" O.D. x 5-1/2" D.

 **ADA COMPLIANT**



**ESI-S1515-  
22-ADA**

22 Gauge  
Type 304SS

18 GAUGE SINK CONSTRUCTION  
304 STAINLESS STEEL  
FULLY INSULATED SPRAY COATING  
SOUND DAMPENING PADS  
R20 RADIUS CORNERS

# BUILD SHARP

*handcrafted*



## ESI-S225-18

18 Gauge  
Type 304SS



50/50 DOUBLE BOWL  
HANDMADE  
STAINLESS STEEL  
UNDERMOUNT  
KITCHEN SINK

**DIMENSIONS:**  
31" x 18" O.D. x 9" | 9" D.

## ESI-S275-18

18 Gauge  
Type 304SS



LARGE SINGLE BOWL  
HANDMADE  
STAINLESS STEEL  
UNDERMOUNT  
KITCHEN SINK

**DIMENSIONS:**  
31-13/16" x 18-1/8" O.D. x  
9" D.

40/60 HANDMADE  
STAINLESS STEEL  
UNDERMOUNT  
KITCHEN SINK

**DIMENSIONS:**

31-1/4" x 20-13/16" O.D. x 7" |  
9" D.



**ESI-S270-18**

18 Gauge

Type 304SS

60/40 HANDMADE  
STAINLESS STEEL  
UNDERMOUNT  
KITCHEN SINK

**DIMENSIONS:**

31-1/4" x 20-13/16" O.D. x 9" |  
7" D.



**ESI-S265-18**

18 Gauge

Type 304SS

MEDIUM SINGLE BOWL  
STAINLESS STEEL  
UNDERMOUNT  
KITCHEN SINK

**DIMENSIONS:**

23" x 18" O.D. x 9" D.



**ESI-S210-18**

18 Gauge

Type 304SS

SMALL SINGLE BOWL  
HANDMADE  
STAINLESS STEEL  
UNDERMOUNT  
KITCHEN SINK

**DIMENSIONS:**

17-1/8" x 15-1/4" O.D. x 9" D.



**ESI-S200-18**

18 Gauge

Type 304SS



## ESI-SAP3020-16

16 Gauge

Type 304SS



30" APRON FRONT  
SINGLE BOWL  
STAINLESS STEEL  
KITCHEN SINK

**DIMENSIONS:**

30-1/8" x 20-1/8" O.D. x 9" D.

## ESI-SAP3320-16

16 Gauge

Type 304SS



33" APRON FRONT  
SINGLE BOWL  
STAINLESS STEEL  
KITCHEN SINK

**DIMENSIONS:**

33-1/8" x 20-1/8" O.D. x 9" D.

## ESI-SAP3620-16

16 Gauge

Type 304SS



36" APRON FRONT  
SINGLE BOWL  
STAINLESS STEEL  
KITCHEN SINK

**DIMENSIONS:**

36-1/8" x 20-1/8" O.D. x 9" D.

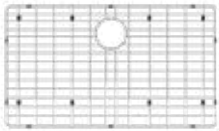


# CULINARY TRADITIONS

- 18 GAUGE SINK CONSTRUCTION
- 304 STAINLESS STEEL
- 10" DEPTH
- COMMERCIAL GRADE UNDERCOATING
- ZERO RADIUS CORNERS
- HEAVY DUTY SOUND DAMPENING PADS

## INCLUDES:

- + CUSTOM FIT SINK GRID



- + SAPELE CUTTING BOARD
- ADJUSTABLE WASH/ DRY BASKET
- ROLL-UP DRYING RACK



- + DELUXE STRAINER DRAIN & BASKET



DIMENSIONS: | 30"x18" O.D. x 10" D.

## ESI-CT100-18

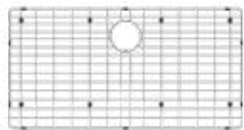
30" SINGLE BOWL STAINLESS STEEL KITCHEN SINK

18 Gauge

Type 304SS

## INCLUDES:

- + CUSTOM FIT SINK GRID



- + SAPELE CUTTING BOARD
- ADJUSTABLE WASH/ DRY BASKET
- ROLL-UP DRYING RACK



- + DELUXE STRAINER DRAIN & BASKET



DIMENSIONS: | 33"x19" O.D. x 10" D.

## ESI-CT200-18

33" SINGLE BOWL STAINLESS STEEL KITCHEN SINK

18 Gauge

Type 304SS

## ESI-CT300-18

36" SINGLE BOWL  
STAINLESS STEEL  
KITCHEN SINK

18 Gauge

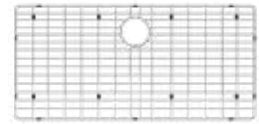
Type 304SS



DIMENSIONS: | 36"x19" O.D. x 10" D.

### INCLUDES:

+ CUSTOM FIT SINK GRID



+ SAPELE CUTTING BOARD



ADJUSTABLE WASH/ DRY BASKET



ROLL-UP DRYING RACK



+ DELUXE STRAINER DRAIN & BASKET



## ESI-CT400-18

43" SINGLE BOWL  
STAINLESS STEEL  
KITCHEN SINK

18 Gauge

Type 304SS



DIMENSIONS: | 43"x19" O.D. x 10" D.

### INCLUDES:

+ CUSTOM FIT SINK GRID



+ SAPELE CUTTING BOARD



ADJUSTABLE WASH/ DRY BASKET



ROLL-UP DRYING RACK



+ DELUXE STRAINER DRAIN & BASKET



## ESI-CT500-18

33" 50/50 DOUBLE BOWL  
STAINLESS STEEL  
KITCHEN SINK

18 Gauge

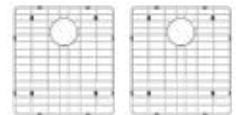
Type 304SS



DIMENSIONS: | 33"x19" O.D. x 10" D. | 10" D.

### INCLUDES:

+ CUSTOM FIT SINK GRIDS



+ SAPELE CUTTING BOARD



ADJUSTABLE WASH/ DRY BASKET



ROLL-UP DRYING RACK



+ DELUXE STRAINER DRAINS & BASKETS



# Serenity CERAMIC COLLECTION

STATE-OF-THE-ART MANUFACTURING PROCESSES  
SPECIALIZED FORMING, GLAZING, AND FIRING TECHNIQUES  
HIGHEST QUALITY CLAYS & ACID-RESISTANT GLAZES  
ASME A112.19.2 COMPLIANT

LARGE OVAL PORCELAIN  
DROP-IN VANITY SINK

**DIMENSIONS:**

20-1/4" x 17-1/4" O.D. x  
6-3/4" D.

**COLORS:**



WHITE



BISQUE



ESI-VC20

SMALL OVAL PORCELAIN  
UNDERMOUNT  
VANITY SINK

**DIMENSIONS:**

15" x 12" I.D. x 6" D.

**COLORS:**



WHITE



BISQUE



ESI-VC12

LARGE OVAL PORCELAIN  
UNDERMOUNT  
VANITY SINK

**DIMENSIONS:**

17-1/4" x 14" I.D. x 6-1/4" D.

**COLORS:**



WHITE



BISQUE



ESI-VC10

ESI-VCR50



SMALL RECTANGLE (EASED)  
PORCELAIN UNDERMOUNT  
VANITY SINK

**DIMENSIONS:**

16" x 11" I.D. x 6" D.

**COLORS:**



WHITE



BISQUE

ESI-VCR60



LARGE RECTANGLE (EASED)  
PORCELAIN UNDERMOUNT  
VANITY SINK

**DIMENSIONS:**

18" x 13" I.D. x 6" D.

**COLORS:**



WHITE



BISQUE

ESI-VCR80



RECTANGLE (TROUGH  
STYLE) PORCELAIN  
UNDERMOUNT  
VANITY SINK

**DIMENSIONS:**

18-1/2" x 12-1/4" I.D. x 7" D.

**COLORS:**



WHITE



BISQUE

ESI-VCR58



RECTANGLE (STRAIGHT  
STYLE) PORCELAIN  
UNDERMOUNT  
VANITY SINK

**DIMENSIONS:**

18-1/2" x 11" I.D. x 5-1/2" D.

**COLORS:**



WHITE



BISQUE

# Catalina FIRECLAY COLLECTION

STATE-OF-THE-ART MANUFACTURING PROCESSES  
SPECIALIZED FORMING, GLAZING, AND FIRING TECHNIQUES  
HIGHEST QUALITY CLAYS & ACID-RESISTANT GLAZES  
ASME A112.19.2 COMPLIANT



27" FIRECLAY SINGLE  
BOWL MODERN SMOOTH  
APRON KITCHEN SINK

**DIMENSIONS:**  
27" x 19" O.D. x 10" D.

**COLORS:**



WHITE



MATTE  
CHARCOAL



ESI-  
FCMOD27

30" FIRECLAY SINGLE  
BOWL CLASSIC SMOOTH  
APRON KITCHEN SINK

**DIMENSIONS:**  
30" x 18" O.D. x 10" D.

**COLORS:**



WHITE



MATTE  
CHARCOAL



ESI-  
FCCL30

ESI-FCMOD33



33" FIRECLAY SINGLE BOWL MODERN SMOOTH APRON KITCHEN SINK

**DIMENSIONS:**

33" x 19" O.D. x 10" D.

**COLORS:**



ESI-FCCL332D



33" FIRECLAY DOUBLE BOWL CLASSIC SMOOTH APRON KITCHEN SINK

**DIMENSIONS:**

33" x 18" O.D. x 10" D. | 10" D.

**COLORS:**



ESI-FCMOD36



36" FIRECLAY SINGLE BOWL MODERN SMOOTH APRON KITCHEN SINK

**DIMENSIONS:**

36" x 19" O.D. x 10" D.

**COLORS:**



ESI-FCMOD362D



36" FIRECLAY DOUBLE BOWL MODERN SMOOTH APRON KITCHEN SINK

**DIMENSIONS:**

36" x 19" O.D. x 10" | 10" D.

**COLORS:**



*Earthstone*  
**QUARTZ**  
COMPOSITE COLLECTION

- 80% QUARTZ CONSTRUCTION
- DURABLE, SCRATCH & STAIN RESISTANT
- HYGIENIC NON-POROUS SURFACE, EASY-TO-CLEAN
- HEAT RESISTANT TO +500°F
- AVAILABLE IN 5 CLASSIC COLORS
- DUAL-MOUNT RIM ALLOWS BOTH UNDERMOUNT AND DROP-IN INSTALLATIONS

P.23

**NEW!**  
ESI-QSLPV330

**ONE NEW SINK.  
FOUR MOUNTING OPTIONS.  
UNMATCHED VERSATILITY.**

This innovative apron front quartz sink can be installed in four configurations for the ultimate in versatility: curved apron mount, straight apron mount, and curved or straight undermount. 10" deep bowl with sleek corner radius. Available in white, black, concrete, mocha and beige.

**#1 CURVED APRON FRONT**



**#3 CURVED UNDERMOUNT**



**#2 STRAIGHT UNDERMOUNT**



**#4 STRAIGHT APRON FRONT**





**NEW PRODUCT**

**ESI-QSLP750TM**

32" DUAL MOUNT  
LARGE SINGLE  
BOWL QUARTZ  
KITCHEN SINK WITH  
ACCESSORY LEDGE

**CUSTOM SINK GRID**  
ESI-QSLP750TM-GRD

**STRAINER**  
ESI-QSSB-BE/CN/BK/MO/WH

**DISPOSAL FLANGE**  
ESI-QSDF-BE/CN/BK/MO/WH

INTEGRATED WORKSTATION LEDGE



**DIMENSIONS:** | 32"x19" O.D. x 9" D.

AVAILABLE IN FIVE COLORS



WHITE      BLACK      MOCHA      CONCRETE      BEIGE

**OPTIONAL ACCESSORIES:**

- + ACCESSORY KIT WITH CUSTOM FIT SINK GRID, SAPELE CUTTING BOARD, AND ROLL-UP UTILITY RACK



- + MATCHING DISPOSAL FLANGE & STRAINER BASKET



**ESI-QS5050TM**

33" DUAL MOUNT  
DOUBLE EQUAL  
BOWL QUARTZ  
KITCHEN SINK

**CUSTOM SINK GRID**  
ESI-QS5050TM-GRD

**STRAINER**  
ESI-QSSB-BE/CN/BK/MO/WH

**DISPOSAL FLANGE**  
ESI-QSDF-BE/CN/BK/MO/WH



**DIMENSIONS:** | 33" x 22" O.D. x 9" | 9" D.

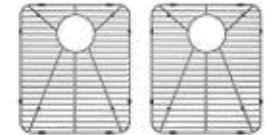
AVAILABLE IN FIVE COLORS



WHITE      BLACK      MOCHA      CONCRETE      BEIGE

**OPTIONAL ACCESSORIES:**

- + CUSTOM FIT SINK GRIDS



- + MATCHING STRAINER BASKET



- + MATCHING DISPOSAL FLANGE



**NEW PRODUCT**

**ESI-QSLPV330**

33" REVERSIBLE BOWL  
APRON FRONT  
KITCHEN SINK

**CUSTOM SINK GRID**  
ESI-QSLPV330-GRD

**STRAINER**  
ESI-QSSB-BE/CN/BK/MO/WH

**DISPOSAL FLANGE**  
ESI-QSDF-BE/CN/BK/MO/WH



**DIMENSIONS:** | 33" x 20" OD x 10" D

AVAILABLE IN FIVE COLORS



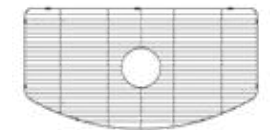
WHITE      BLACK      MOCHA      CONCRETE      BEIGE

**FOUR MOUNTING OPTIONS:**

- 1 CURVED APRON FRONT
- 2 STRAIGHT APRON FRONT
- 3 CURVED UNDERMOUNT
- 4 STRAIGHT UNDERMOUNT

**OPTIONAL ACCESSORIES:**

- + CUSTOM FIT SINK GRID



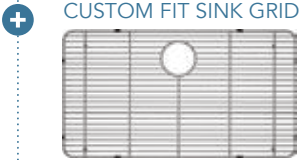
- + MATCHING STRAINER BASKET



- + MATCHING DISPOSAL FLANGE



**OPTIONAL ACCESSORIES:**



**DIMENSIONS: | 32"x19" O.D. x 9" D.**

**AVAILABLE IN FIVE COLORS**



**ESI-QS1000**

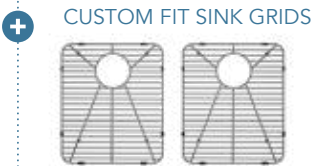
32" LARGE SINGLE BOWL QUARTZ KITCHEN SINK

**CUSTOM SINK GRID**  
ESI-QS1000-GRD

**STRAINER**  
ESI-QSSB-BE/CN/BK/MO/WH

**DISPOSAL FLANGE**  
ESI-QSDF-BE/CN/BK/MO/WH

**OPTIONAL ACCESSORIES:**



**DIMENSIONS: | 32" x 19" O.D. x 9" | 9" D.**

**AVAILABLE IN FIVE COLORS**



**ESI-QS5050**

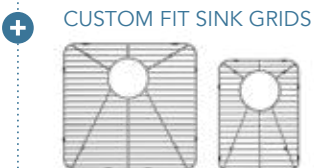
32" 50/50 DOUBLE EQUAL BOWL QUARTZ KITCHEN SINK

**CUSTOM SINK GRID**  
ESI-QS5050-GRD

**STRAINER**  
ESI-QSSB-BE/CN/BK/MO/WH

**DISPOSAL FLANGE**  
ESI-QSDF-BE/CN/BK/MO/WH

**OPTIONAL ACCESSORIES:**



**DIMENSIONS: | 32" x 19" O.D. x 9" | 7-1/2" D.**

**AVAILABLE IN FIVE COLORS**



**ESI-QS6040**

32" 60/40 LARGE/SMALL BOWL QUARTZ KITCHEN SINK

**CUSTOM SINK GRID**  
ESI-QS6040-GRD

**STRAINER**  
ESI-QSSB-BE/CN/BK/MO/WH

**DISPOSAL FLANGE**  
ESI-QSDF-BE/CN/BK/MO/WH

## ESI-QS4060

32" 40/60  
SMALL/LARGE  
BOWL QUARTZ  
KITCHEN SINK

**CUSTOM SINK GRID**  
ESI-QS4040-GRD

**STRAINER**  
ESI-QSSB-BE/CN/BK/MO/WH

**DISPOSAL FLANGE**  
ESI-QSDF-BE/CN/BK/MO/WH



**DIMENSIONS:** | 32" x 19" O.D. x 7-1/2" | 9" D.

AVAILABLE IN FIVE COLORS



WHITE

BLACK

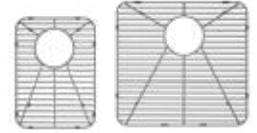
MOCHA

CONCRETE

BEIGE

### OPTIONAL ACCESSORIES:

+ CUSTOM FIT SINK GRIDS



+ MATCHING STRAINER BASKET



+ MATCHING DISPOSAL FLANGE



## ESI-QS7030

32" LARGE/SMALL  
DOUBLE BOWL  
QUARTZ  
KITCHEN SINK

**CUSTOM SINK GRID**  
ESI-QS7030-GRD

**STRAINER**  
ESI-QSSB-BE/CN/BK/MO/WH

**DISPOSAL FLANGE**  
ESI-QSDF-BE/CN/BK/MO/WH



**DIMENSIONS:** | 32" x 20-1/2" O.D. x 9-1/2" | 8" D.

AVAILABLE IN FIVE COLORS



WHITE

BLACK

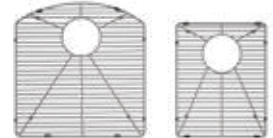
MOCHA

CONCRETE

BEIGE

### OPTIONAL ACCESSORIES:

+ CUSTOM FIT SINK GRIDS



+ MATCHING STRAINER BASKET



+ MATCHING DISPOSAL FLANGE



## ESI-QS1515

15" SMALL  
SINGLE BOWL  
QUARTZ  
BAR SINK

**CUSTOM SINK GRID**  
ESI-QS1515-GRD

**STRAINER**  
ESI-QSSB-BE/CN/BK/MO/WH

**DISPOSAL FLANGE**  
ESI-QSDF-BE/CN/BK/MO/WH



**DIMENSIONS:** | 15" x 15" O.D. x 7-1/2" D.

AVAILABLE IN FIVE COLORS



WHITE

BLACK

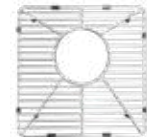
MOCHA

CONCRETE

BEIGE

### OPTIONAL ACCESSORIES:

+ CUSTOM FIT SINK GRID



+ MATCHING STRAINER BASKET



+ MATCHING DISPOSAL FLANGE



**OPTIONAL ACCESSORIES:**

+ CUSTOM FIT SINK GRID



+ MATCHING STRAINER BASKET



+ MATCHING DISPOSAL FLANGE



**DIMENSIONS:** | 16-1/2" x 18" O.D. x 8" D.

**AVAILABLE IN FIVE COLORS**



WHITE



BLACK



MOCHA



CONCRETE



BEIGE

**ESI-QS1618**

16-1/2" SMALL SINGLE BOWL QUARTZ BAR SINK

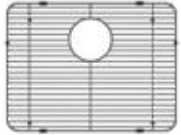
**CUSTOM SINK GRID**  
QS-SG1618

**STRAINER**  
ESI-QSSB-BE/CN/BK/MO/WH

**DISPOSAL FLANGE**  
ESI-QSDF-BE/CN/BK/MO/WH

**OPTIONAL ACCESSORIES:**

+ CUSTOM FIT SINK GRID



+ MATCHING STRAINER BASKET



+ MATCHING DISPOSAL FLANGE



**DIMENSIONS:** | 23" x 18" O.D. x 8-1/2" D.

**AVAILABLE IN FIVE COLORS**



WHITE



BLACK



MOCHA



CONCRETE



BEIGE

**ESI-QS2318**

23" MEDIUM SINGLE BOWL QUARTZ KITCHEN/UTILITY SINK

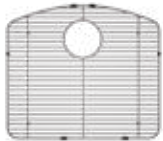
**CUSTOM SINK GRID**  
ESI-QS2318-GRD

**STRAINER**  
ESI-QSSB-BE/CN/BK/MO/WH

**DISPOSAL FLANGE**  
ESI-QSDF-BE/CN/BK/MO/WH

**OPTIONAL ACCESSORIES:**

+ CUSTOM FIT SINK GRID



+ MATCHING STRAINER BASKET



+ MATCHING DISPOSAL FLANGE



**DIMENSIONS:** | 23" x 21" O.D. x 9" D.

**AVAILABLE IN FIVE COLORS**



WHITE



BLACK



MOCHA



CONCRETE



BEIGE

**ESI-QS2321D**

23" D-SHAPED SINGLE BOWL QUARTZ KITCHEN/UTILITY SINK

**CUSTOM SINK GRID**  
ESI-2321D-GRD

**STRAINER**  
ESI-QSSB-BE/CN/BK/MO/WH

**DISPOSAL FLANGE**  
ESI-QSDF-BE/CN/BK/MO/WH

## ESI-QSLPV210

17-1/8" DUAL MOUNT  
OVAL QUARTZ  
VANITY SINK

Innovative dual-mount  
oval quartz vanity sink  
is the perfect choice for  
any bathroom.



DIMENSIONS: | 17-1/8" x 14-1/8" ID x 6-1/2" D

AVAILABLE IN FIVE COLORS



## ESI-QSLPV214

18-3/4" DUAL MOUNT  
RECTANGULAR  
QUARTZ VANITY SINK

Most popular quartz  
vanity sink features  
sloped sidewalls and  
can be dual-mounted.



DIMENSIONS: | 18-3/4" x 12-1/4" ID x 6" D

AVAILABLE IN FIVE COLORS



## ESI-QSLPV330

17-1/2" DUAL MOUNT  
RECTANGULAR  
QUARTZ VANITY SINK

Dual-mount quartz  
rectangular vanity sink  
features a spacious basin  
with contemporary styling.



DIMENSIONS: | 17-1/2" x 13-3/8" ID x 5" D

AVAILABLE IN FIVE COLORS



*Gemstone*  
**SOLID SURFACE  
COLLECTION**

- MADE IN THE U.S.A. BY GEMSTONE
- 10 YEAR TRANSFERABLE WARRANTY
- CONTRIBUTES TO LEED CERTIFIED & GREEN BUILDING PRACTICES
- 15% POST CONSUMER, 5.5% RAPIDLY RENEWABLE MATERIALS



## GEM-1729D

KITCHEN  
UNDERMOUNT



DIMENSIONS: | 30-7/8" x 18-9/16" O.D. x 9" D.

### AVAILABLE COLORS:



POLAR WHITE



IVORY



BISCUIT

## GEM-2917D

KITCHEN  
UNDERMOUNT

REVERSIBLE



DIMENSIONS: | 30-7/8" x 18-9/16" O.D. x 9" D.

### AVAILABLE COLORS:



POLAR WHITE



IVORY



BISCUIT

## GEM-3016D

KITCHEN  
UNDERMOUNT

REVERSIBLE



DIMENSIONS: | 32" x 18-1/2" O.D. x 8-1/4" D.

### AVAILABLE COLORS:



POLAR WHITE



IVORY



BISCUIT

**AVAILABLE  
COLORS:**



POLAR WHITE



IVORY



BISCUIT



**DIMENSIONS: | 32" x 21" O.D. x 7" D. | 9" D.**

**GEM-1930D**

KITCHEN  
UNDERMOUNT

**AVAILABLE  
COLORS:**



POLAR WHITE



IVORY



BISCUIT



**DIMENSIONS: | 22-1/2" x 17-3/4" O.D. x 8-1/2" D.**

**GEM-2015S**

UTILITY  
UNDERMOUNT

**AVAILABLE  
COLORS:**



POLAR WHITE



IVORY



BISCUIT



**DIMENSIONS: | 17-3/4" x 17-3/4" O.D. x 8-3/8" D.**

**GEM-1616S**

UTILITY  
UNDERMOUNT



## GEM-1812VO

VANITY  
UNDERMOUNT  
WITH OVERFLOW

ADA COMPLIANT



 ADA COMPLIANT

DIMENSIONS: | 19-1/2" x 14-5/16" O.D. x 5" D.

### AVAILABLE COLORS:



POLAR WHITE



IVORY



BISCUIT

## GEM-1613VO

VANITY  
UNDERMOUNT  
WITH OVERFLOW

ADA COMPLIANT



 ADA COMPLIANT

DIMENSIONS: | 18-7/16" x 15-1/16" O.D. x 5-5/16" D.

### AVAILABLE COLORS:



POLAR WHITE



IVORY



BISCUIT

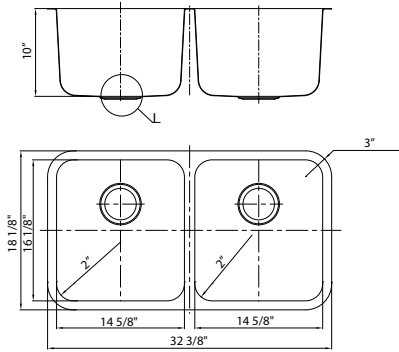


# TECHNICAL INFORMATION

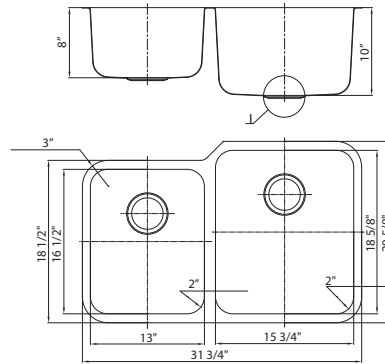
## ULTRASHARP SERIES STAINLESS | DIMENSIONAL DRAWINGS

P. 3-4

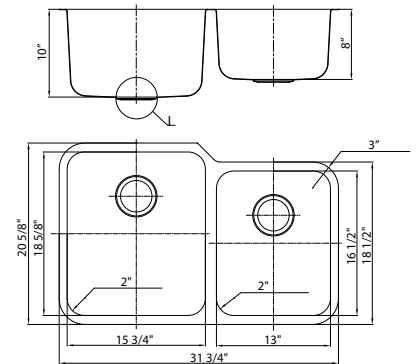
ESI-ULTRA-205



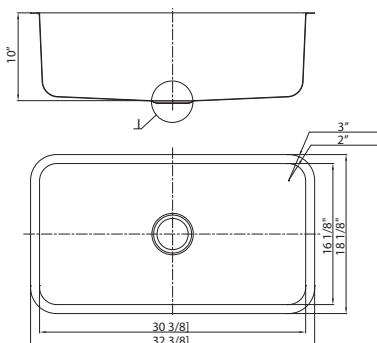
ESI-ULTRA-211R



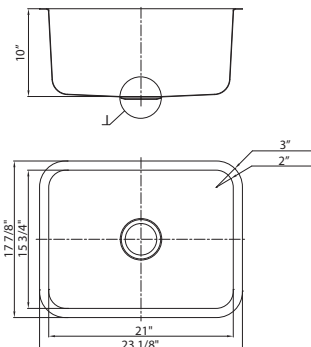
ESI-ULTRA-211L



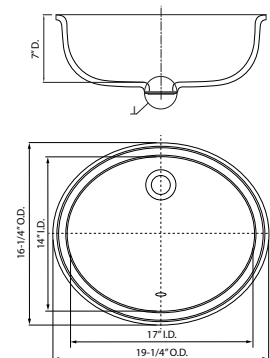
ESI-ULTRA-190



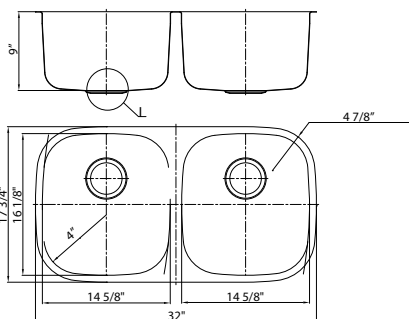
ESI-ULTRA-123



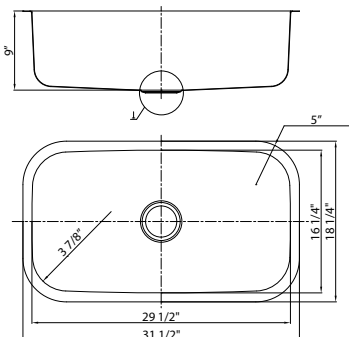
ESI-ULTRA-130DW



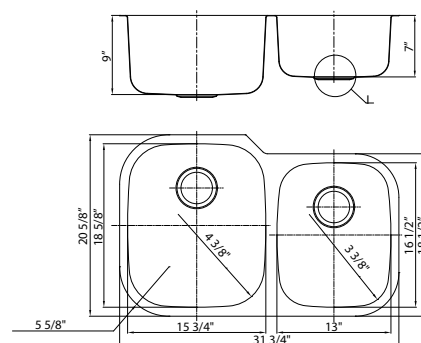
ESI-S227-16



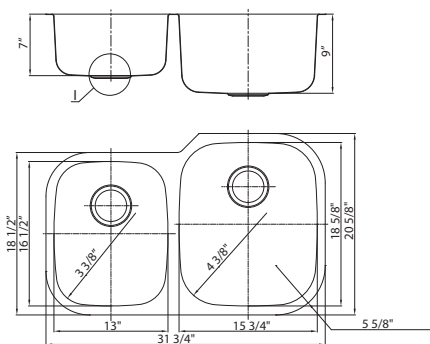
ESI-S380-16



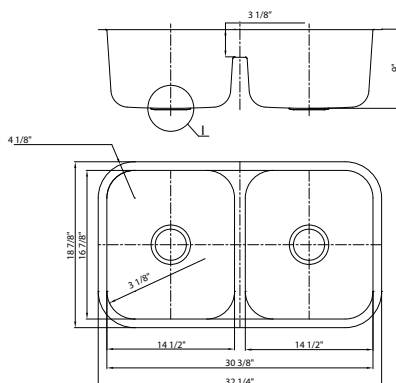
ESI-S360-16



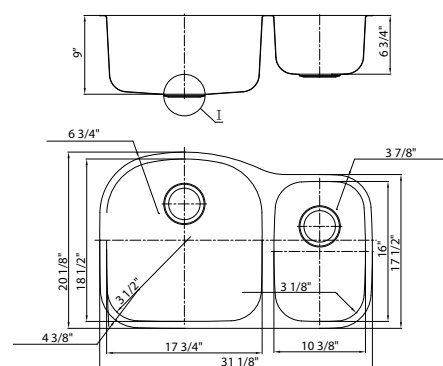
ESI-S360R-16



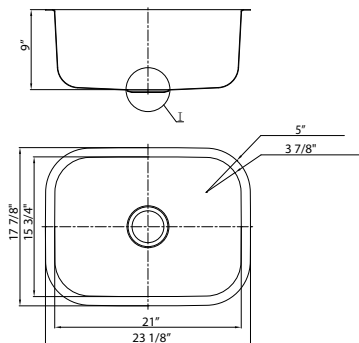
ESI-S227LD-16



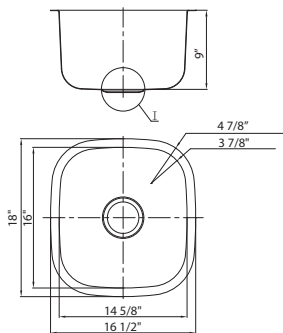
ESI-S272-16



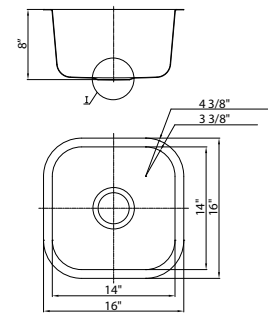
ESI-S214-16



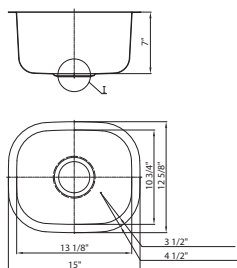
ESI-S330-18



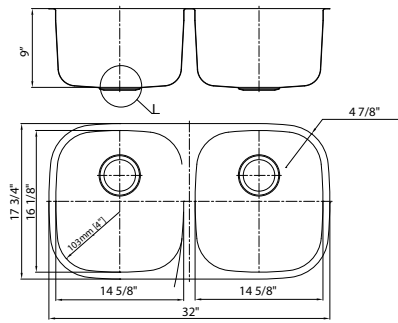
ESI-S320-18



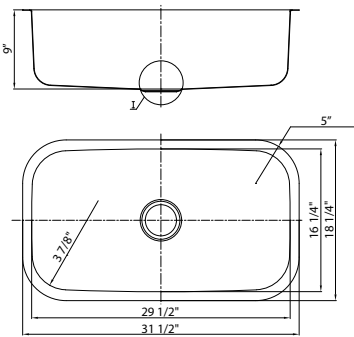
ESI-S310-18



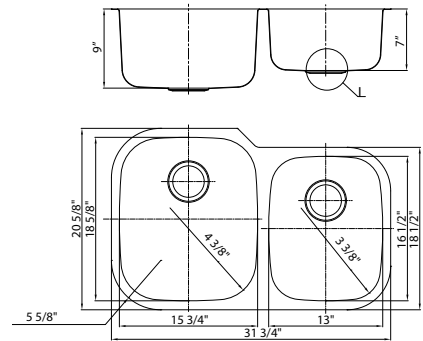
ESI-S227-18



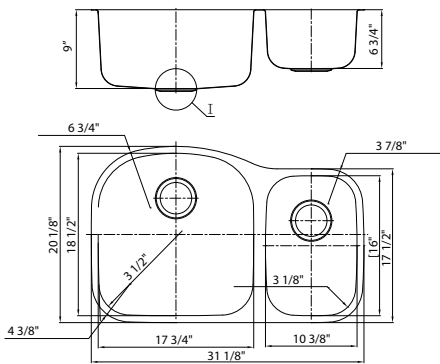
ESI-S380-18



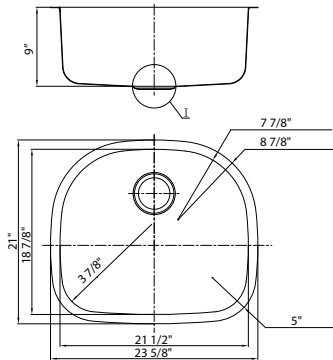
ESI-S360-18



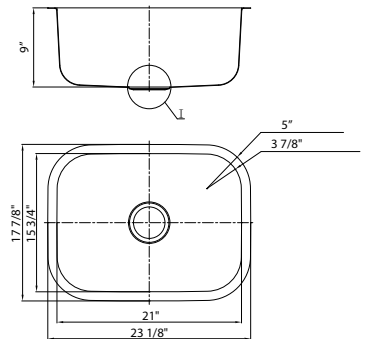
ESI-S272-18



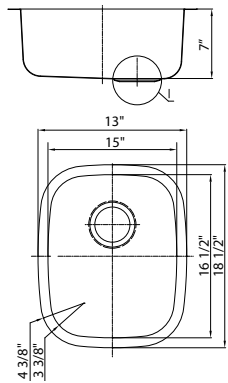
ESI-S340-18



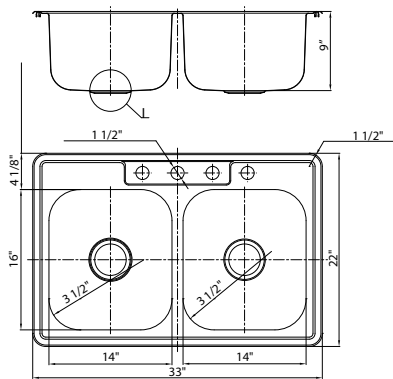
ESI-S214-18



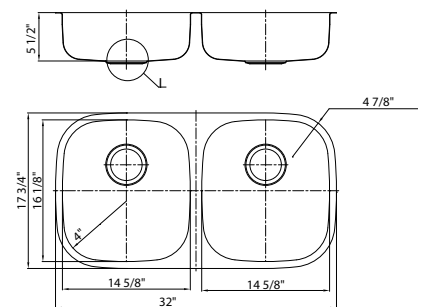
ESI-S207-18



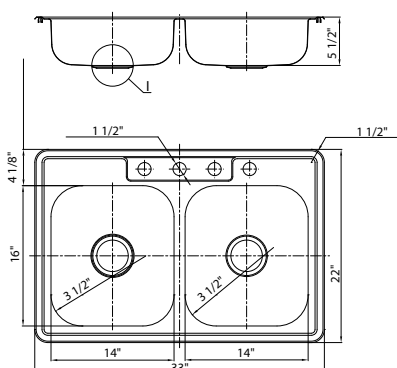
ESI-S375-18



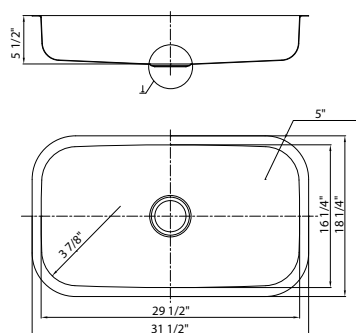
ESI-S5050-18-ADA



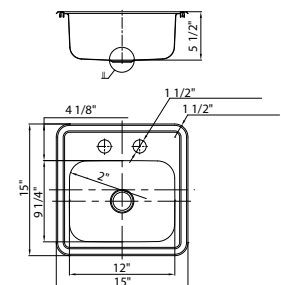
ESI-S3322-22-ADA



ESI-S3118-18-ADA

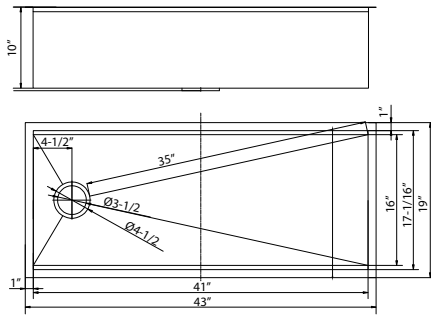


ESI-S1515-22-ADA

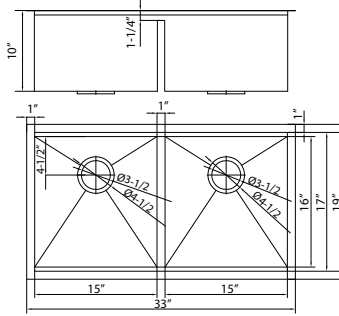




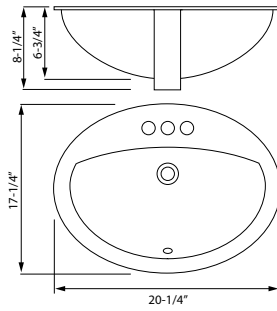
ESI-CT400-18



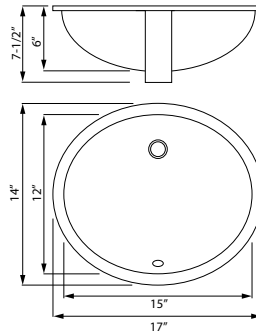
ESI-CT500-18



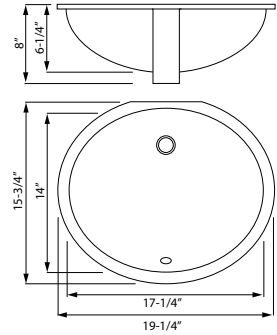
ESI-VC20



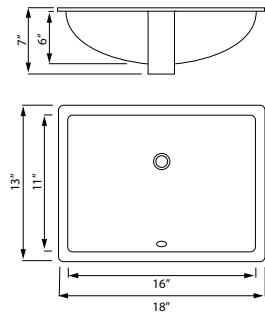
ESI-VC12



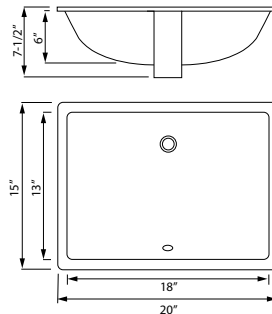
ESI-VC10



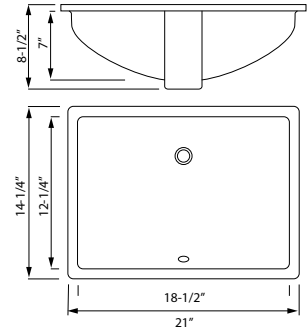
ESI-VCR50



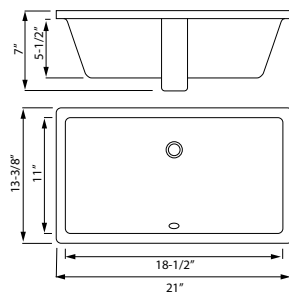
ESI-VCR60



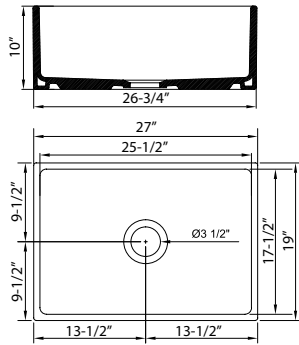
ESI-VCR80



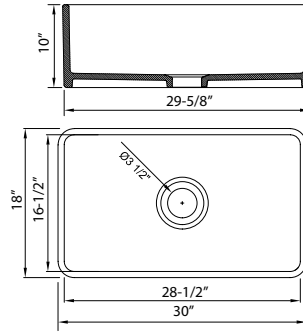
ESI-VCR58



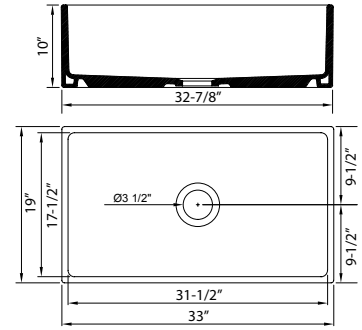
ESI-FCMOD27



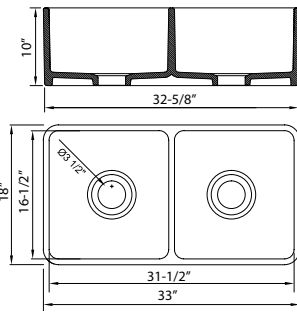
ESI-FCCL30



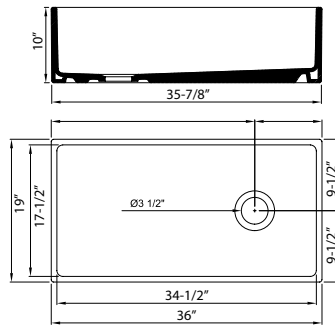
ESI-FCMOD33



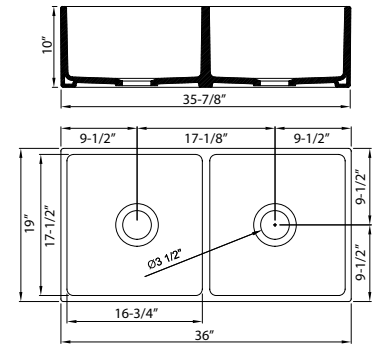
ESI-FCCL332D



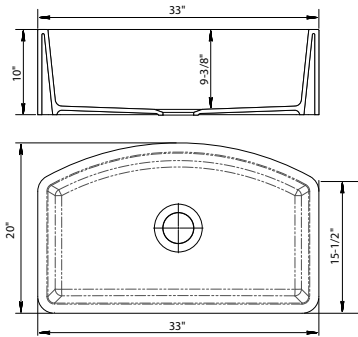
ESI-FCMOD36



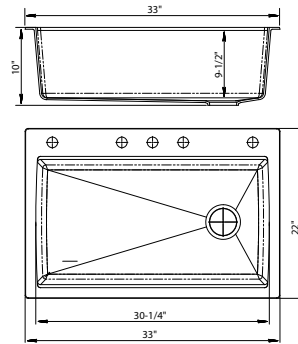
ESI-FMOD362D



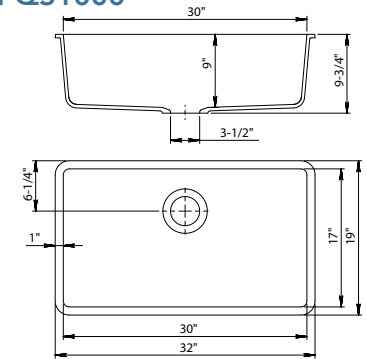
ESI-QSLPA3320



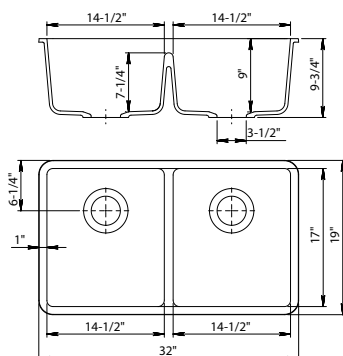
ESI-QSLP750T



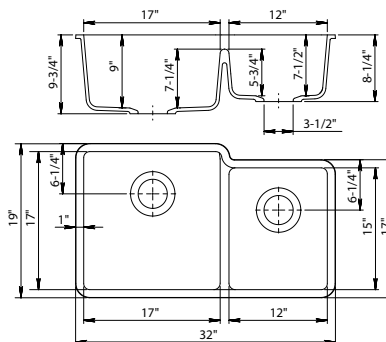
ESI-QS1000



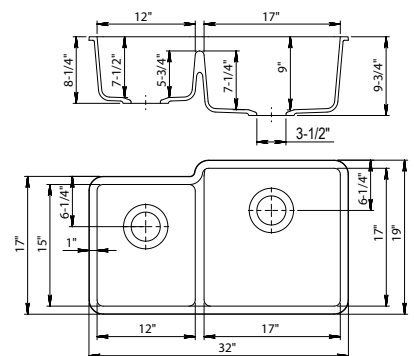
ESI-QS5050



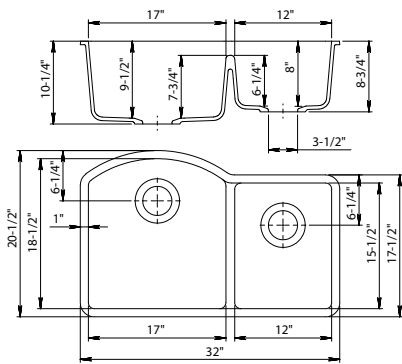
ESI-QS6040



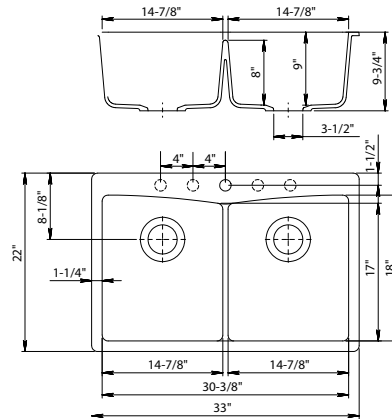
ESI-QS4060



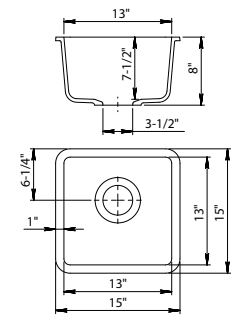
ESI-QS7030



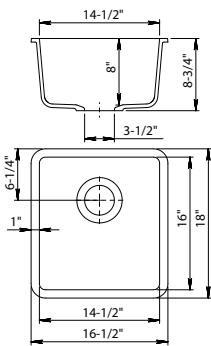
ESI-QS5050TM



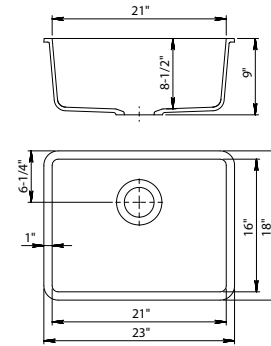
ESI-QS1515



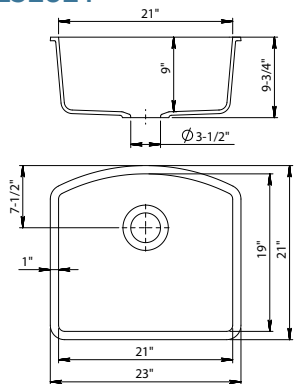
ESI-QS1618



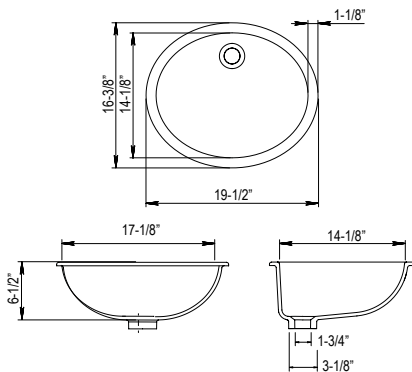
ESI-QS2318



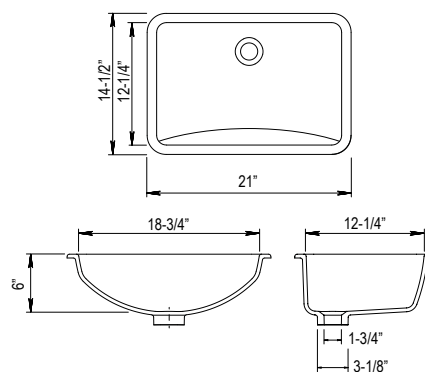
ESI-QS2321



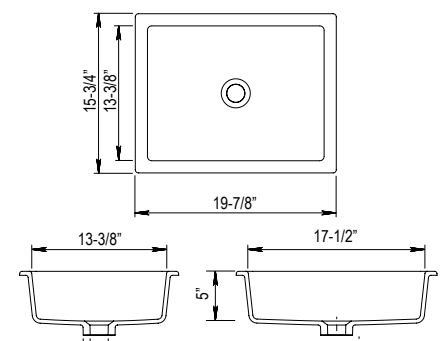
ESI-QSLPV210



ESI-QSLPV214



ESI-QSLPV33



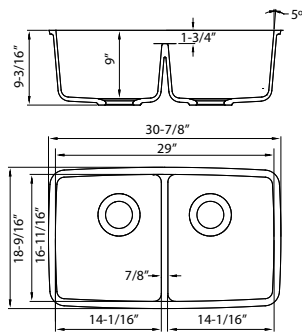
**MORE WAREHOUSES, FASTER SHIPPING**

With warehouses located across the nation in seven states, ESI delivers some of the fastest shipping in the industry.

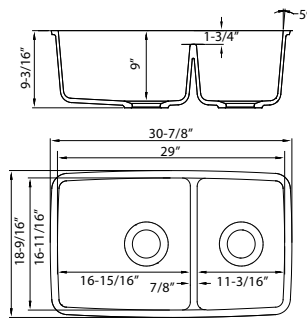




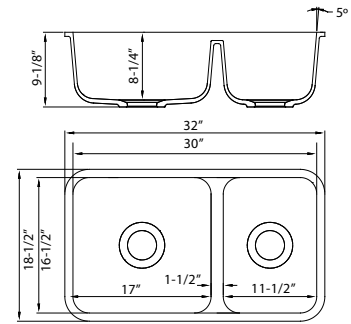
GEM-1729D



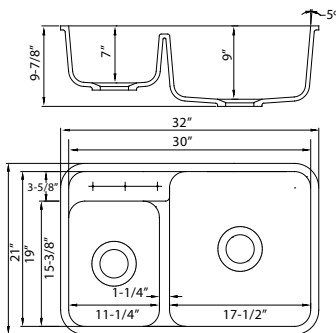
GEM-2917D



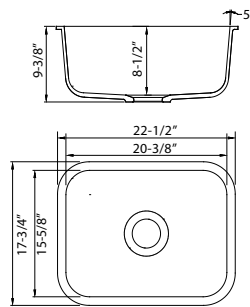
GEM-3016D



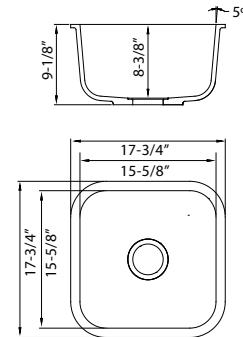
GEM-1930D



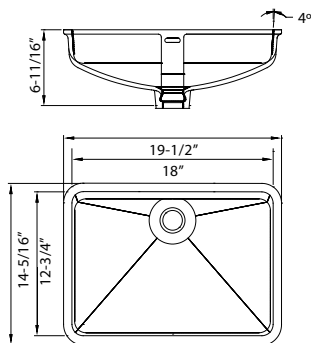
GEM-2015S



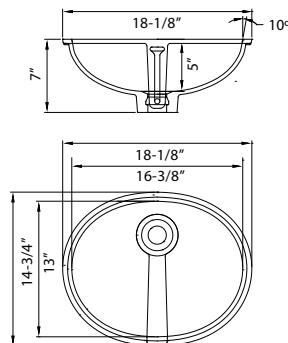
GEM-1616S



GEM-1812VO



GEM-1613VO



**EXPLORE THE ESI WEBSITE**

Visit [www.edgebanding-services.com](http://www.edgebanding-services.com) to explore our full range of products, from sinks and surfaces to edgebanding, veneers, adhesives, and more .

**SHARPSINKS**

A DIVISION OF ESI



### STAINLESS STEEL SINKS

Your new sink is made of premium stainless steel and has a nominal thickness of 16 or 18 gauge, depending on the line of sink you have. Stainless steel alloy is composed of both chromium and nickel. The presence of chromium enables the steel to form an invisible layer of oxide that protects it against corrosion. The addition of nickel to the alloy increases its corrosion resistance while adding a bright polished appearance, hardness, and exceptional resistance to all temperatures. The extra thickness of the steel in our sinks will resist normal abuse; however we do recommend the use of our strainer-grids to protect against accidental damage.

We suggest you clean the sinks as you would a stainless steel pot- use a mild detergent with a sponge, rinse and dry off. From time to time, you may also polish it to restore it to its original beauty and shine using 'Nevr-Dull' (purchased at online or retail stores) or any polishing cream for stainless steel.

### QUARTZ COMPOSITE SINKS

- **Care and use** - Avoid placing pots or hot objects in excess of 536°F into the sink. Avoid causing excessive thermal shock due to the presence of very hot and very cold objects on the sink at the same time. Avoid causing thermal shock due to the presence of very hot and very cold objects in the sink at the same time.
- Clean your quartz sink regularly using a non-abrasive sponge and dishwashing soap. Rinse and dry completely with a clean, soft cloth.
- **Scuffs and stains** - Use a magic eraser sponge to remove light scuffs, stains, and metallic marks. On stubborn areas use a soft scouring pad and mild abrasive cleaner (Soft Scrub® or Bar Keeper's Friend®). Clean, rinse and dry sink completely then apply olive oil to the sink surface.
- **Surface deposits** - To remove hard water, calcium or lime use Lime Away® or CLR® cleaner. Alternatively use white vinegar on a paper towel and rinse after 20 minutes,
- **Surface luster** - To restore luster and extend the time between cleanings apply a thin, even coating of Quartz Sink Conditioner, food-safe mineral oil, or olive oil to the entire sink surface with a cloth. Remove excess with a cloth or leave overnight. Reapply as needed.

### SERENITY CERAMIC SINKS

Clean the sink using water and a mild detergent with a sponge, rinse and dry off. Do not use harsh chemicals inside the sink; if you would not put it on your hands don't put it in the sink. (Avoid bleach, acids, thinners, etc.) Be advised that some foods contain acids, such as lemons. If these foods contact the sink, rinse off and dry it clean ASAP. Never lay rusted objects or objects prone to rusting inside the sink; although the sink itself is incapable of rusting it will stain if a rusted foreign object is laid in it. Do not put tea bags or coffee inside the sink. If you do, rinse and dry immediately. Sodas can stain the sink if not rinsed out immediately. These sinks do not resist abuse very well. Handle pots and pans with care.

### GEMSTONE SOLID SURFACE COLLECTION SINKS

Do not place hot pans directly from the burner or the oven into the Gemstone sink. Even though Gemstone sinks can withstand sustained temperatures up to 225°F, prolonged or extreme heat could cause yellowing and/ or cracking. To prevent cracking due to extreme temperature differences, frozen foods should be placed on a mat or rack - do not place items directly on the surface of the sink to thaw. Do not use your sink for cutting or chopping items. Although minor cuts and scratches can be repaired, deep cuts will require the services of a professional.

Gemstone sinks and bowls are non-porous so they can be easily wiped clean with a damp cloth or sponge and mild detergents or general purpose cleaners. If you have a factory matte finish, abrasive cleaners may also be used. Periodically, it may also be helpful to go over the entire surface with an abrasive cleaner or a wet Scotch-Brite pad to maintain a uniform appearance.

Spills & Stains: While most everyday spills can be removed with the cleaning techniques mentioned, some troublesome spills and stains such as food/hair dye, tea, and fruit drinks may require more aggressive cleaning. These items can be removed with a solution of 50/50 bleach and water allowed to sit for 15 minutes, drained, and flushed with water. Follow with a general cleaner and flush with water. On factory matte finish, if you prefer, you can scrub with an abrasive cleaner.

## ALSO AVAILABLE FROM ESI:

- **EDGEBANDING** - DOELLKEN and Teknaform PVC, Real Wood Veneer Edgebanding, and more.
- **SURFACES** - ASCALE Porcelain Slabs, HanStone Quartz, Hanex Solid Surface, Metallics.
- **ADHESIVES** - Contact Adhesive, Hotmelt Adhesive, GLUE 360 Surface Adhesives, Glues.
- **VENEERS** - Domestic & Exotic Sheets and Edgebanding.
- **HARDWARE, MACHINES, & TOOLS** - Drawer Slides, Blades, Router Bits, FastCap, and more.

For more information, complete product listings, and stocking facilities, visit [www.edgebanding-services.com](http://www.edgebanding-services.com)

# more than just sinks

---

ESI is based in Los Angeles, CA and operates out of 8 fully stocked locations to reliably serve you. We are a full service wholesale distributor that serves the countertop, cabinetry, millwork, display, and furniture industries.

We proudly offer Doellken Edgebanding Products, Edgebanding Products, HanStone Quartz Surfaces, Hanex Solid Surfaces, ATI and Decotone Metallics, Gemstone Solid Surface Sinks. We are also the exclusive distributor of SharpSinks Stainless Steel Sinks, Quartz Composite Sinks, and Vitreous China Sinks.

---



**EDGEBANDING**



**SURFACES**



**SINKS**



**VENEERS**



**ADHESIVES**



**TOOLS**

## ARIZONA

### ESI - Arizona Branch

150 S. Kyrene Rd #9  
Chandler, AZ 85226

800.470.5831 **TOLL FREE**  
480.829.8900 **OFFICE**  
480.829.8903 **FAX**

## COLORADO

### ESI - Colorado Branch

5977 N. Broadway  
Denver, CO 80216

800.470.5831 **TOLL FREE**  
303.295.1546 **OFFICE**  
303.296.0307 **FAX**

## UTAH

### ESI - Utah Branch

2251 S. 3270 W.  
West Valley City, UT 84119

800.470.5831 **TOLL FREE**  
801.485.7249 **OFFICE**  
801.485.6131 **FAX**

## CALIFORNIA

### ESI - Southern California Branch

828 West Cienega Avenue  
San Dimas, CA 91773

800.470.5831 **TOLL FREE**  
909.599.2336 **OFFICE**  
909.394.9035 **FAX**

### ESI - Northern California Branch

2247 Commerce Place  
Hayward, CA 94545

800.470.5831 **TOLL FREE**  
510.785.0379 **OFFICE**  
510.785.2398 **FAX**

## MISSOURI

### ESI - Missouri Branch

566 Leffingwell Avenue  
Kirkwood, MO 63122

800.470.5831 **TOLL FREE**  
636.326.2565 **OFFICE**  
636.326.9369 **FAX**

## TEXAS

### ESI - Texas Branch

11444 Reeder Rd #101  
Dallas, TX 75229

800.470.5831 **TOLL FREE**  
972.287.3992 **OFFICE**  
972.287.7339 **FAX**

## WASHINGTON

### ESI - Washington Branch

6876 South 220th Street  
Kent, WA 98032

800.470.5831 **TOLL FREE**  
866.395.7002 **OFFICE**  
866.395.6094 **FAX**

[www.edgebanding-services.com](http://www.edgebanding-services.com)

©2020 Edgebanding Services, Inc.  
Printed in USA

ESI-SC\_2022-1



a J.R. Sharp Company

# SHARPSINKS

A DIVISION OF ESI

